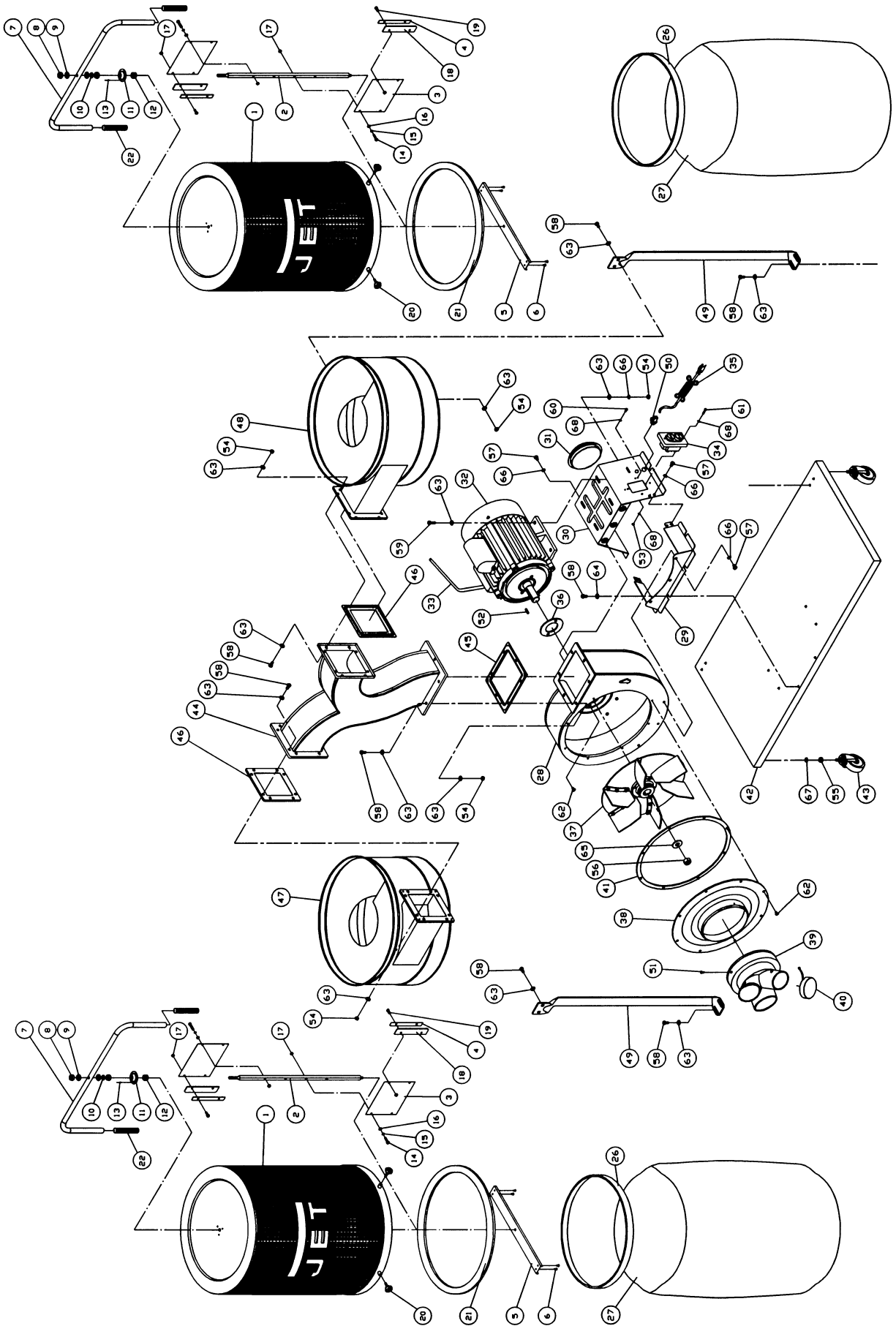


# Parts Breakdown



## Parts List for the DC-1900C Canister Filter

Index No.	Part No.	Description	Size	Qty.
1	708739	Filter		2
2	331010	Shaft		2
3	331012	Scraper		4
4	331015	Plate		4
5	331009	Support		2
6	ST049200	Tapping Screw	M4x8	8
7	331050	Handle		2
8	NH101700	Nut	M10	4
9	WF102025	Flat Washer	M10	4
10	WS100000	Spring Washer	M10	2
11	331014	Bracket		2
12	150623	Pad		2
13	BR000052	Rivet		6
14	SH060400	Hex Head Bolt	M6x20	8
15	WS060000	Spring Washer	M6	8
16	WF061310	Flat Washer	M6	8
17	NH061000	Nut	M6	16
18	331017	Plate		4
19	SH069300	Hex Head Bolt	M6x12	8
20	331037	Knob	M6x20	8
21	331031	Pad		2
22	331051	Soft Grip Handle		4
26	331038	Snap Ring		2
27	998674-36	PVC Bag		10
28	431018W	Impeller Housing		1
29	431019W	Impeller Housing Bracket		1
30	431020W	Motor Bracket		1
31	450038	Bracket Cap		1
32	DC1900-20W	Motor	3HP, 1Ph 230V Only	1
	DC1900-MFC	Motor Fan Cover (not shown)		1
	DC1900-MF	Motor Fan (not shown)		1
	DC1900-20B	Starting Capacitor (not shown)	600MFD, 125VAC	1
	DC1900-CS	Centrifugal Switch and Rotor (not shown)		1
33	IM431001	Motor Cord		1
34	994542	Switch		1
35	DC1900-33	Power Cord		1
36	420051	Motor Pad		1
37	431006	Impeller	14"	1
38	431008W	Inlet Guard	8"	1
39	499025	Inlet Port	3-4"	1
40	420203	Inlet Cap		2
41	431034	Rubber Gasket		1
42	430028W	Base		1
43	402036	Pivoting Caster		4
44	430004W	Connector Tube		1
45	430035	Gasket		1
46	430036	Gasket		2
47	430012W	Left Housing		1
48	430020W	Right Housing		1
49	402004W	Support Bar		2
50	998654	Strain Relief		2
51	990855	Pan Head Bolt w/Flange	3/16 x 1/2"	1
52	992021	Key	7x7x20	1

Index No.	Part No.	Description	Size	Qty.
53	991213	Nut	3/16"	1
54	TS-1540061	Nut	M8	30
55	TS-0561031	Nut	3/8" -16 UNC	4
56	TS-0561072	Nut	5/8" -18 UNF	1
57	TS-1490011	Hex Head Bolt	M8x12	10
58	TS-1490031	Hex Head Bolt	M8x20	36
59	TS-1490041	Hex Head Bolt	M8x25	4
60	990855	Pan Head Bolt	3/16 x 1/2"	1
61	990856	Pan Head Bolt	3/16 x 1"	2
62	TS-1554041	Pan Head Bolt W/Flange	M6x12	10
63	TS-0680031	Flat Washer	M8	64
64	TS-1550071	Flat Washer	M10	6
65	TS-155010	Flat Washer	M16	1
66	TS-0720081	Spring Washer	M8	14
67	TS-1551071	Spring Washer	M10	4
68	WE050000	Star Washer (Ext)	M5	4
	DC1900-30	Grounding Label (not shown)		1
	DC1900-31	Direction Label (not shown)		1
	DC1900-ID	Identification Label (not shown)		1
	DC1900-32	Name Plate (not shown)		1
	DC1900-HP	Hardware Package (not shown)		1
	DC1900-53	Warning Label (Base - not shown)		1
	DC1900-54	Warning Label (Inlet Guard - not shown)		1

### Wiring Diagram For Single Phase 230V Only Dust Collector

